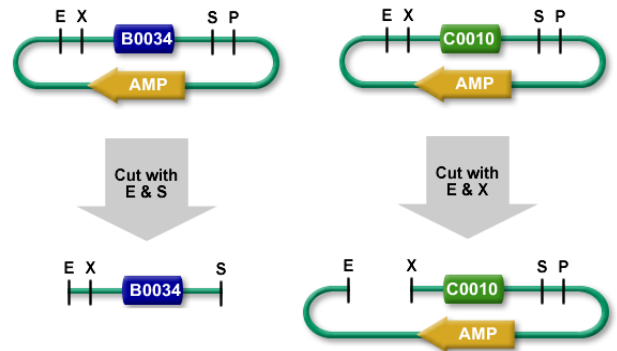
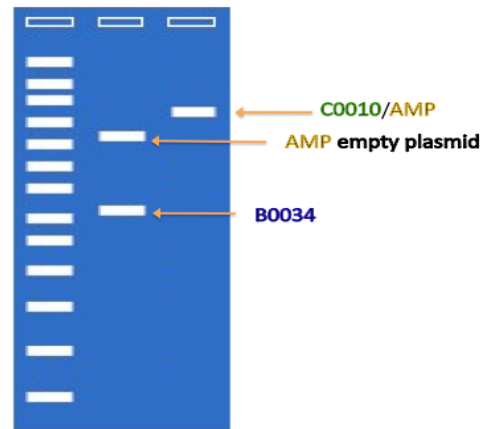


DNA ASSEMBLY

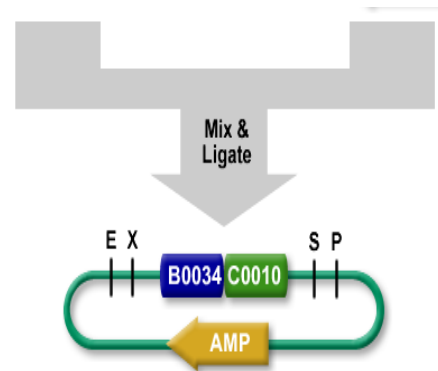
1. Restriction (cut)



2. Gel extraction (separate)



3. Ligation (glue)



4. Transformation (add new plasmid to cells)

